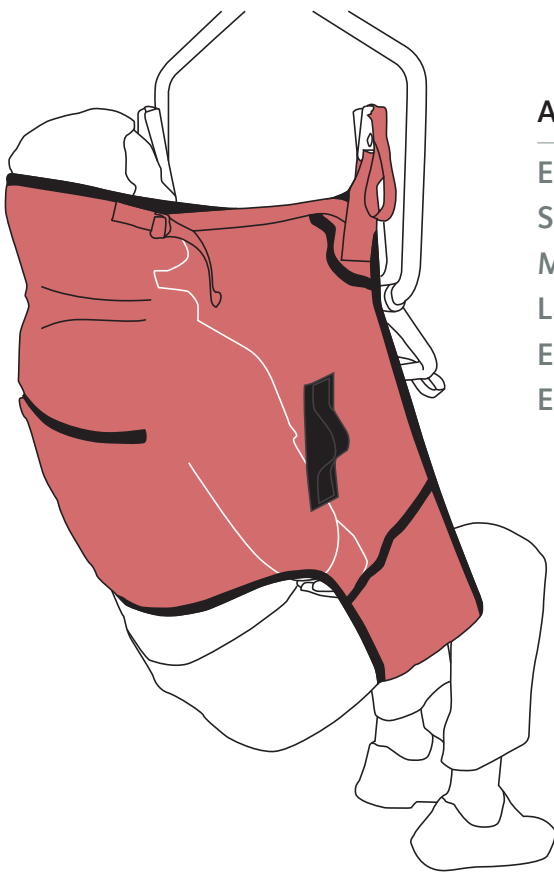


ActiveCare Pivot Frame Head Support Hygiene Sling

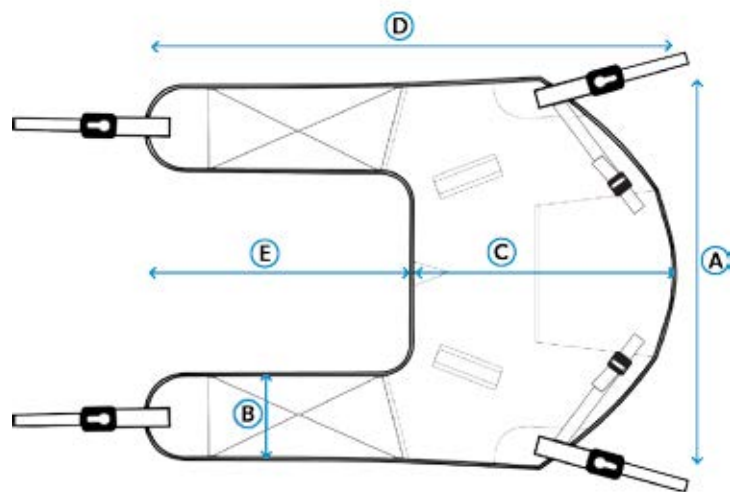


ActiveCare Mesh

Extra Small	227381
Small	227383
Medium	227375
Large	227377
Extra Large	227374
Extra Extra Large	227399

ActiveCare Fabric

Extra Small	227382
Small	227384
Medium	227376
Large	227378
Extra Large	227398



This is a sling designed for toilet transfers, while still providing adequate support for the less secure patient. The sling design is cut higher at the back to allow easy removal of clothing and also includes head support and a Velcro torso strap for optimum support. The keyhole tag style attachments mean this is a sling used on a patient lifter with a pivot/tilt frame. Available in sizes from X-small to XX-large, and in fabric and mesh styles.

	XS	S	M	L	XL	XXL
A	800	900	1000	1120	1240	1360
B	195	205	215	225	235	245
C	500	585	670	740	810	850
D	1020	1185	1350	1520	1650	1720
E	520	600	680	780	840	870